

Fax Option Type 3045
(B779)

Fax Option Type 3045 (B779)

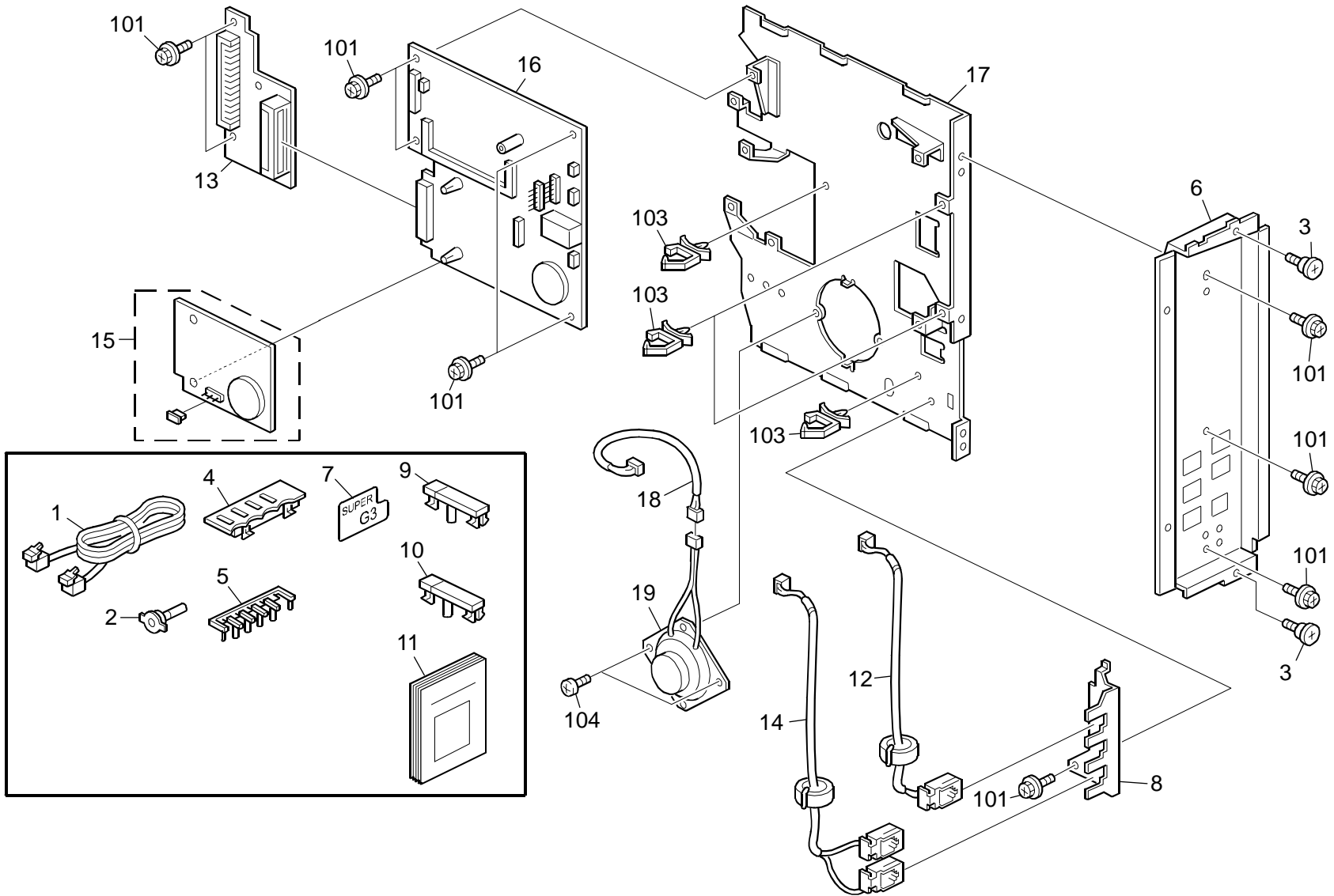
PARTS CATALOG

This catalog gives the numbers and names of parts on this machine.

1.Fax Option (B779).....	2
2.FCU Board (B779)	4
Parts Index.....	11

July ,10 ' 2005

1.Fax Option (B779)



1.Fax Option (B779)

Index No.	Part No.	Description	Q'ty Per Assembly
1	B779 5273	Harness:Modular:Line:EU	1
2	H511 5007	Stamp	1
3	A684 6111	Stepped Screw - M3	1
4	B779 5886	Panel:Fax:EXP	1
5	B077 1537	Keytop:Key Top-pause	1
6	B547 6370	Cover:Fax:EXP	1
6	B547 6374	Cover:Fax:Chn	1
6	B547 6375	Cover:Fax:Twn	1
7	B404 3861	SG3 Decal	1
8	B779 5894	Bracket:Modular:Fax	1
9	B077 6356	Keytop:Copy:1:NA	1
9	B077 6366	Keytop:Copy:1:EU	1
10	B547 6357	Keytop:Fax:NA	1
10	B547 6367	Keytop:Fax:EU	1
11	B779 8510	Operating Instructions:Fax:1	1
11	B779 8511	Operating Instructions:Fax:2	1
11	B779 8520	Operating Instructions:Fax:1	1
11	B779 8521	Operating Instructions:Fax:2	1
11	B779 8530	Operating Instructions:Fax:1	1
11	B779 8531	Operating Instructions:Fax:2	1
11	B779 8540	Operating Instructions:Fax:1	1
11	B779 8541	Operating Instructions:Fax:2	1
11	B779 8600	Operating Instructions:Fax:1	1
11	B779 8650	Operating Instructions:Fax:2	1
12	B779 5270	Harness:Modular:Line	1
13	B712 5175	PCB:Fcuif1	1
14	B779 5274	Harness:Modular:Tel:NA	1
14	B779 5275	Harness:Modular:Tel:EU	1
15	B779 5180	PCB:Mbu	1
16	B712 5172	PCB:Gwfcu3:NA	1
16	B712 5174	PCB:Gwfcu3:EU	1
16	B712 5178	PCB:Gwfcu3:Twn:Ass'y	1
17	B779 5889	Bracket:Fax	1
18	B779 5272	Harness:Speaker:Connecting	1
19	B712 5050	Speaker:Gr:100	1

Index No.	Part No.	Description	Q'ty Per Assembly
101	0451 3006N	Tapping Screw - 3x6	1
103	1105 0516	Clamp	1
104	0353 0060N	Philips Pan Head Bind Screw - M3x6	1

2.FCU Board (B779)

A

CAPACITOR

SYMBOL NO.	INDEX NO.
A1	134
A2	134

SYMBOL NO.	INDEX NO.
---	---
C2	147
C3	146
C4	148
C5	149
C6	149
C7	164
---	---
C9	157
C10	157

SYMBOL NO.	INDEX NO.
C11	154
C12	157
C13	157
C14	168
C15	168
C16	171
C17	167
C18	167
C19	169
C20	169

SYMBOL NO.	INDEX NO.
C21	172
C22	158
C23	160
C24	177
C25	235
C26	165
C27	165
C28	170
---	---
C30	170

SYMBOL NO.	INDEX NO.
C31	232
C32	231
C33	160
C34	151
C35	192
C36	157
C37	157
C38	234
C39	157
C40	157

SYMBOL NO.	INDEX NO.
C41	234
C42	157
C43	157
---	---
---	---
C46	157
C47	234
C48	234
---	---
C50	157

SYMBOL NO.	INDEX NO.
C51	157
C52	157
C53	234
C54	157
C55	161
C56	157
C57	163
C58	232
C59	233
C60	160

BAT

SYMBOL NO.	INDEX NO.
BAT1	111

CAPACITOR

SYMBOL NO.	INDEX NO.
C61	153
C62	152
C63	162
C64	234
C65	157
C66	234
C67	157
C68	234
C69	157
C70	234

SYMBOL NO.	INDEX NO.
C71	234
C72	234
C73	234
C74	157
C75	157
C76	157
C77	175
C78	157
---	---
C80	236

SYMBOL NO.	INDEX NO.
C81	157
C82	157
C83	157
C84	157
C85	157
C86	157
C87	157
C88	234
C89	234
C90	156

SYMBOL NO.	INDEX NO.
C91	157
C92	157
C93	153
C94	166
C95	178
C96	157
C97	157
C98	159
C99	159
C100	165

SYMBOL NO.	INDEX NO.
C101	179
C102	153
---	---
C104	155
---	---
C106	157
C107	150
C108	150
---	---
C110	157

SYMBOL NO.	INDEX NO.
C111	157
C112	151
C113	151
C114	174
C115	174
C116	155
C117	155
---	---
C119	157
---	---

SYMBOL NO.	INDEX NO.
---	---
---	---
---	---
---	---
---	---
C128	173
C129	173
C130	173
C203	230
C204	176

2.FCU Board (B779)

CONNECTOR

SYMBOL NO.	INDEX NO.
CN600	107
CN601	108
---	---
---	---
CN604	105
CN605	102
CN606	104
---	---
---	---
---	---

SYMBOL NO.	INDEX NO.
---	---
---	---
CN622	106
CN622	109
CN623	103

DIODE

SYMBOL NO.	INDEX NO.
D1	122
---	---
D3	122
D4	131
D5	131
D6	127
D7	127
D8	122
D9	128
D10	130

SYMBOL NO.	INDEX NO.
D11	131
D12	131
D13	126

DA

SYMBOL NO.	INDEX NO.
DA1	123

FIL

SYMBOL NO.	INDEX NO.
FIL1	180
---	---
---	---
FIL4	181
FIL4	184
FIL5	181
FIL5	184

IC

SYMBOL NO.	INDEX NO.
---	---
IC2	140
IC3	141
---	---
IC5	237
IC6	138
IC7	1
IC8	139
---	---
IC10	137

L

SYMBOL NO.	INDEX NO.
L1	185
L2	183
L2	186
L3	182
L3	187
L4	182
L4	187

LED

SYMBOL NO.	INDEX NO.
LED1	132
LED2	133

Q

SYMBOL NO.	INDEX NO.
Q1	117
Q2	118
Q3	117
Q4	116
Q5	113
Q6	114
Q7	114
Q8	113
Q9	114
Q10	114

SYMBOL NO.	INDEX NO.
Q11	114
Q12	120
Q13	115
Q14	119

RESISTOR

SYMBOL NO.	INDEX NO.
---	---
R2	207
R3	207
R4	207
R5	207
R6	207
R7	207
R8	207
R9	207
R10	207

SYMBOL NO.	INDEX NO.
R11	211
R12	211
R13	207
R14	197
R15	207
R16	196
R17	196
R18	196
R19	196
R20	196

SYMBOL NO.	INDEX NO.
R21	198
R22	198
R23	222
R24	204
R25	217
R26	217
R27	200
R28	226
R29	229
R30	201

SYMBOL NO.	INDEX NO.
R31	193
---	---
R33	193
R34	196
R35	197
R36	207
R37	191
R38	207
R39	207
R40	207

OSC

SYMBOL NO.	INDEX NO.
OSC1	142
OSC2	143

2.FCU Board (B779)

RESISTOR

SYMBOL NO.	INDEX NO.	SYMBOL NO.	INDEX NO.	SYMBOL NO.	INDEX NO.	SYMBOL NO.	INDEX NO.	SYMBOL NO.	INDEX NO.	SYMBOL NO.	INDEX NO.	SYMBOL NO.	INDEX NO.
R41	207	R51	191	---	---	R71	216	R81	195	R91	207	R101	207
R42	207	R52	196	R62	207	R72	209	R82	210	R92	207	R102	204
R43	207	R53	223	R63	207	R73	209	R83	198	R93	203	---	---
R44	207	R54	223	R64	207	R74	209	---	---	R94	203	R104	196
R45	207	---	---	R65	218	R75	205	R85	214	R95	207	R105	196
R46	196	R56	191	R66	207	R76	217	R86	208	R96	207	R106	196
R47	195	R57	196	R67	207	R77	209	---	---	R97	207	R107	196
R48	195	R58	191	R68	207	R78	224	R88	191	R98	196	R108	219
R49	207	R59	191	R69	207	R79	224	---	---	R99	207	---	---
R50	207	---	---	R70	196	R80	228	R90	191	R100	207	R110	197

RESISTOR

SYMBOL NO.	INDEX NO.	SYMBOL NO.	INDEX NO.	SYMBOL NO.	INDEX NO.	SYMBOL NO.	INDEX NO.	SYMBOL NO.	INDEX NO.	SYMBOL NO.	INDEX NO.	SYMBOL NO.	INDEX NO.
R111	219	R121	206	R131	191	R141	220	---	---	---	---	RN1	189
R112	219	R122	197	R132	199	R142	220	---	---	R212	191	RN2	189
R113	207	R123	207	R133	196	R143	227	---	---	R213	191	RN3	188
R114	191	R124	212	R134	191	R144	225	---	---	---	---	RN4	188
R115	196	R125	196	---	---	R145	220	---	---	---	---	RN5	145
R116	196	R126	196	R136	191	R146	220	---	---	---	---	RN6	188
R117	196	R127	213	---	---	R147	220	---	---	R217	191	RN7	188
R118	196	R128	202	---	---	R148	221	---	---	---	---	RN8	188
R119	196	R129	191	R139	196	R149	221	R209	191	R219	191	RN9	188
R120	215	R130	194	R140	220	R150	196	---	---	---	---	RN10	188

RN

2.FCU Board (B779)

RN

SYMBOL NO.	INDEX NO.
RN11	188
RN12	145
RN13	188
RN14	188
RN15	190
RN16	190
RN17	188
RN18	188
RN19	189
RN20	189

RY

SYMBOL NO.	INDEX NO.
RN21	144
RN22	189

SYMBOL NO.	INDEX NO.
RY2	112

V

SYMBOL NO.	INDEX NO.
V1	135
V2	136
V3	135

ZD

SYMBOL NO.	INDEX NO.
ZD1	121
ZD2	125
ZD3	125
ZD4	129
ZD5	124

2.FCU Board (B779)

Index No.	Part No.	Description	Q'ty Per Assembly
*	B712 5172	PCB:GWFCU3:NA	1
*	B712 5174	PCB:GWFCU3:EU	1
*	B712 5178	PCB:GWFCU3:TWN:Ass'y	1
1	B620 5511	IF-FAME-RL5T818-0001	1
2	B620 5513	IC-FACE3-RB5A264	1
3	B712 5051	Connector:FFC:PB:50P	1

Index No.	Part No.	Description	Q'ty Per Assembly
101	1002 0307	Jumper Wire	
102	1102 4201	Connector - 2P	
103	1102 4205	CT Header - 6P	
104	1102 4633	CT Header - 4P	
105	1102 8189	DIMM Connector - 54534-1440	
106	1102 8396	Connector - B06B-CZHK-B-1(LF)(V)	
107	1102 9093	Connector:RHM-88R-SSK-	
108	1102 9634	Connector - WR-60P-VF50-1	
109	1102 9999	Connector - B03B-CZHK-B(LF)(V)	
110	1105 0338	Spacer - 8mm	
111	1206 0084	2ndary Lithium Cell:VI2330/1hf	
112	1208 1438	Relay - EC2 5ND	
113	1400 0769	Transistor - 2SA1576A	
114	1400 0775	Transistor - 2SC4081	
115	1400 0781	Transistor:2SB1132R	
116	1400 0841	Transistor:2SD1898Q	
117	1400 1018	Transistor - MMBTA42	
118	1400 1019	Transistor - MMBTA92	
119	1401 1056	Fet - 2SK2158	
120	1401 1116	Transistor - 2SC5053	
121	1402 0506	Diode - RD43EB	
122	1402 1336	Diode - 1SS355	
123	1402 1343	Diode - RB106L-40	
124	1402 1384	Diode - UDZS12B	
125	1402 1505	Diode - UDZS5.6B	
126	1402 1530	Diode - RB520S-30	
127	1402 1584	Diode - DAN217U	
128	1402 1599	Diode - RB551	
129	1402 1647	Diode - UDZS3.6B	
130	1402 1698	Diode - RB	
131	1402 1734	Diode - 1SR156-400	
132	1403 0953	LED - SML-310MT	
133	1403 0996	LED - SML-310VT	
134	1404 0983	Arrestor- RA-102MS-V7-F(5)	
135	1404 1033	Varistor - TNR9SE431K	

Index No.	Part No.	Description	Q'ty Per Assembly
136	1404 1070	Varistor - TISP4290H3BJ	
137	1407 5441	IC - 74LVC00A:TSOP	
138	1407 5858	IC - SI3016	
139	1408 1829	Ope Amp - LM358PW	
140	1408 1861	Regulator - UPC2918T	
141	1408 2080	IC - RN5RK	
142	1503 0460	Oscillator - 32.768KHZ	
143	1503 1004	Oscilator - 19.6608Mhz	
144	1601 7752	Resistor Array - 10K Ω \pm 5%	
145	1601 7867	Resistor - 33 Ω \pm 5% 1/16W	
146	1604 5210	Capacitor - 22 μ F \pm 20% 16V	
147	1604 5211	Capacitor - 47 μ F \pm 20% 16V	
148	1604 5212	Capacitor - 100 μ F \pm 20% 16V	
149	1604 5213	Capacitor - 220 μ F \pm 20% 10V	
150	1605 0832	Capacitor - 8PF \pm 0.5pF 50V	
151	1605 1148	Capacitor - 0.1 μ F+80-20% 50V	
152	1605 1163	Ceramic Capacitor - 560pF: \pm 5%:50V	
153	1605 1190	Resistor - 0.022 μ F \pm 10% 50V	
154	1605 1200	Capacitor - 10PF \pm 0.5pF 50V	
155	1605 1214	Capacitor - 1000pF \pm 10% 50V	
156	1605 1216	Capacitor - 2200pF \pm 10%50V	
157	1605 1221	Capacitor - 0.1 UF+80-20%16V	
158	1605 1225	Capacitor - 0.1 μ F \pm 10% 50V	
159	1605 1275	Capacitor - 820pF \pm 5% 50V	
160	1605 1281	Capacitor - 0.22 μ F \pm 10% 16V	
161	1605 1295	Capacitor:10uf:+80-20%:10V	
162	1605 1299	Resistor - 56pF \pm 5% 50V	
163	1605 1306	Capacitor - 1 μ F \pm 10% 10V	
164	1605 1347	Capacitor - 1UF:+80-20%:16V	
165	1605 1353	Capacitor - 0.1 μ F \pm 10% 25V	
166	1605 1396	Capacitor - 0.33 μ F \pm 10% 50V	
167	1605 1397	Capacitor - 560pF \pm 10% 630V	
168	1605 1398	Capacitor - 1000pF \pm 20% AC250V	
169	1605 1399	Capacitor - 3900pF \pm 5% 50V	
170	1605 1400	Capacitor - 150pF \pm 10% AC250V	

Index No.	Part No.	Description	Q'ty Per Assembly
171	1605 1401	Capacitor - 0.01 μ F \pm 10% 250V	
172	1605 1402	Capacitor - 1800pF \pm 5% 50V	
173	1605 1421	Capacitor - 150pF \pm 10% AC250V	
174	1605 1422	Capacitor - 1000pF \pm 20% AC250V	
175	1605 1446	Resistor - 120pF \pm 5% 50V	
176	1605 1460	Capacitor - 0.22pF \pm 10% AC250V	
177	1605 1475	Resistor - 1 μ F \pm 10% 16V	
178	1605 1539	Resistor - 1.5 μ F \pm 10% 16V	
179	1605 1544	Resistor - 330pF \pm 5% 50V	
180	1607 0069	Fuse - BL02RN2-R62-PB	
181	1607 0824	Filter - BLM11A601SPB	
182	1607 0425	Coil: SBT-0260	
183	1607 0612	St-110AV	
184	1607 0824	Filter - BLM11A601SPB	
185	1607 1196	Inductor -220uh \pm 20% 0.33A	
186	1607 1284	Choke Coil - ST-110BV	
187	1607 1584	Inductor - LAV35VB151J	
188	1609 0005	Registor:33 Ω : \pm 5%:1/16W	
189	1609 0006	Registor:10k Ω : \pm 5%:1/16W	
190	1609 0026	Resistor - 47 Ω \pm 5% 1/16W	
191	1634 0000	Resistor - 0 Ω 1/16W	
192	1640 3221	Capacitor:220uf: \pm 20%:35V	
193	1650 4100	Resistor - 10 Ω \pm 5% 1/10W	
194	1650 4101	Resistor - 100 Ω \pm 5%1/10W	
195	1650 4102	Resistor - 1K Ω \pm 5% 1/10W	
196	1650 4103	Resistor - 10K Ω \pm 5% 1/10W	
197	1650 4104	Resistor - 100K Ω \pm 5%1/10W	
198	1650 4106	Resistor - 10M Ω \pm 5%1/10W	
199	1650 4121	Resistor - 120 Ω \pm 5%1/10W	
200	1650 4124	Resistor:120k Ω : \pm 5%:1/10W	
201	1650 4151	Resistor - 150 Ω \pm 5%1/10W	
202	1650 4204	Resistor - 200K Ω \pm 5%1/10W	
203	1650 4220	Chip Resistor - 22 Ω \pm 5% 1/10W	
204	1650 4222	Resistor - 2.2K Ω \pm 5%1/10W	
205	1650 4223	Resistor - 22K Ω \pm 5%1/10W	

Parts Index

Parts Index

Part No.	Description	Page and Index No.
B779 5180	PCB:Mbu	1 - 15
B779 5270	Harness:Modular:Line	1 - 12
B779 5272	Harness:Speaker:Connecting	1 - 18
B779 5273	Harness:Modular:Line:EU	1 - 1
B779 5274	Harness:Modular:Tel:NA	1 - 14
B779 5275	Harness:Modular:Tel:EU	1 - 14
B779 5886	Panel:Fax:EXP	1 - 4
B779 5889	Bracket:Fax	1 - 17
B779 5894	Bracket:Modular:Fax	1 - 8
B779 8510	Operating Instructions:Fax:1	1 - 11
B779 8511	Operating Instructions:Fax:2	1 - 11
B779 8520	Operating Instructions:Fax:1	1 - 11
B779 8521	Operating Instructions:Fax:2	1 - 11
B779 8530	Operating Instructions:Fax:1	1 - 11
B779 8531	Operating Instructions:Fax:2	1 - 11
B779 8540	Operating Instructions:Fax:1	1 - 11
B779 8541	Operating Instructions:Fax:2	1 - 11
B779 8600	Operating Instructions:Fax:1	1 - 11
B779 8650	Operating Instructions:Fax:2	1 - 11

Part No.	Description	Page and Index No.
A684 6111	Stepped Screw - M3	3 - 3
B077 1537	Keytop:Key Top-pause	1 - 5
B077 6356	Keytop:Copy:1:NA	1 - 9
B077 6366	Keytop:Copy:1:EU	1 - 9
B404 3861	SG3 Decal	1 - 7
B547 6357	Keytop:Fax:NA	1 - 10
B547 6367	Keytop:Fax:EU	1 - 10
B547 6370	Cover:Fax:EXP	1 - 6
B547 6374	Cover:Fax:Chn	1 - 6
B547 6375	Cover:Fax:Twn	1 - 6
B620 5511	Ic-fame-rl5t818-0001	2 - 1
B620 5513	Ic-face3-rb5a264	2 - 2
B712 5050	Speaker:Gr:100	1 - 19
B712 5051	Connector:FFC:Pb:50p	2 - 3
B712 5172	PCB:Gwfcu3:NA	1 - 16
B712 5172	PCB:Gwfcu3:NA	2 - *
B712 5174	PCB:Gwfcu3:EU	1 - 16
B712 5174	PCB:Gwfcu3:EU	2 - *
B712 5175	PCB:Fcuif1	1 - 13
B712 5178	PCB:Gwfcu3:Twn:Ass'y	2 - *
B712 5178	PCB:Gwfcu3:Twn:Ass'y	1 - 16
H511 5007	Stamp	1 - 2

Part No.	Description	Page and Index No.
0353 0060N	Philips Pan Head Bind Screw - M3x6	1 - 104
0451 3006N	Tapping Screw - 3x6	1 - 101
1002 0307	Jumper Wire	2 - 101
1102 4201	Connector - 2P	2 - 102
1102 4205	CT Header - 6P	2 - 103
1102 4633	CT Header - 4P	2 - 104
1102 8189	DIMM Connector - 54534-1440	2 - 105
1102 8396	Connector - B06B-CZHK-B-1(LF)(V)	2 - 106
1102 9093	Connector:Rhm-88r-ssk-	2 - 107
1102 9634	Connector - WR-60P-VF50-1	2 - 108
1102 9999	Connector - B03B-CZHK-B(LF)(V)	2 - 109
1105 0338	Spacer - 8mm	2 - 110
1105 0516	Clamp	1 - 103
1206 0084	2ndary Lithium Cell:VI2330/1hf	2 - 111
1208 1438	Relay - EC2 5ND	2 - 112
1400 0769	Transistor - 2SA1576A	2 - 113
1400 0775	Transistor - 2SC4081	2 - 114
1400 0781	Transistor:2sb1132r	2 - 115
1400 0841	Transistor:2sd1898q	2 - 116
1400 1018	Transistor - MMBTA42	2 - 117
1400 1019	Transistor - MMBTA92	2 - 118
1401 1056	Fet - 2sk2158	2 - 119
1401 1116	Transistor - 2SC5053	2 - 120
1402 0506	Diode - RD43EB	2 - 121
1402 1336	Diode - 1SS355	2 - 122
1402 1343	Diode - RB106L-40	2 - 123
1402 1384	Diode - UDZS12B	2 - 124
1402 1505	Diode - UDZS5.6B	2 - 125
1402 1530	Diode - RB520S-30	2 - 126
1402 1584	Diode - DAN217U	2 - 127
1402 1599	Diode - RB551	2 - 128
1402 1647	Diode - UDZS3.6B	2 - 129
1402 1698	Diode - RB	2 - 130
1402 1734	Diode - 1SR156-400	2 - 131
1403 0953	LED - SML-310MT	2 - 132

Part No.	Description	Page and Index No.
1403 0996	LED - SML-310VT	2 - 133
1404 0983	Arrestor- Ra-102ms-v7-f(5)	2 - 134
1404 1033	Varistor - TNR9SE431K	2 - 135
1404 1070	Varistor - TISP4290H3BJ	2 - 136
1407 5441	IC - 74LVC00A:TSOP	2 - 137
1407 5858	IC - SI3016	2 - 138
1408 1829	Ope Amp - Lm358pw	2 - 139
1408 1861	Regulator - UPC2918T	2 - 140
1408 2080	IC - RN5RK	2 - 141
1503 0460	Oscillator - 32.768KHZ	2 - 142
1503 1004	Oscilator - 19.6608mhz	2 - 143
1601 7752	Resistor Array - 10K Ω \pm 5%	2 - 144
1601 7867	Resistor - 33 Ω \pm 5% 1/16W	2 - 145
1604 5210	Capacitor - 22 μ F \pm 20% 16V	2 - 146
1604 5211	Capacitor - 47 μ F \pm 20% 16V	2 - 147
1604 5212	Capacitor - 100 μ F \pm 20% 16V	2 - 148
1604 5213	Capacitor - 220 μ F \pm 20% 10V	2 - 149
1605 0832	Capacitor - 8PF \pm 0.5pF 50V	2 - 150
1605 1148	Capacitor - 0.1 μ F +80-20% 50V	2 - 151
1605 1163	Ceramic Capacitor - 560pf: \pm 5%:50v	2 - 152
1605 1190	Resistor - 0.022 μ F \pm 10% 50V	2 - 153
1605 1200	Capacitor - 10PF \pm 0.5pF 50V	2 - 154
1605 1214	Capacitor - 1000pF \pm 10% 50V	2 - 155
1605 1216	Capacitor - 2200PF \pm 10%50V	2 - 156
1605 1221	Capacitor - 0.1 μ F+80-20%16V	2 - 157
1605 1225	Capacitor - 0.1 μ F \pm 10% 50V	2 - 158
1605 1275	Capacitor - 820pF \pm 5% 50V	2 - 159
1605 1281	Capacitor - 0.22 μ F \pm 10% 16V	2 - 160
1605 1295	Capacitor:10 μ F:+80-20%:10v	2 - 161
1605 1299	Resistor - 56pF \pm 5% 50V	2 - 162
1605 1306	Capacitor - 1 μ F \pm 10% 10V	2 - 163
1605 1347	Capacitor - 1 μ F:+80-20%:16V	2 - 164
1605 1353	Capacitor - 0.1 μ F \pm 10% 25V	2 - 165
1605 1396	Capacitor - 0.33 μ F \pm 10% 50V	2 - 166
1605 1397	Capacitor - 560pF \pm 10% 630V	2 - 167

Part No.	Description	Page and Index No.
1605 1398	Capacitor - 1000pF ±20% AC250V	2 - 168
1605 1399	Capacitor - 3900pF ±5% 50V	2 - 169
1605 1400	Capacitor - 150pF ±10% AC250V	2 - 170
1605 1401	Capacitor - 0.01µF ±10% 250V	2 - 171
1605 1402	Capacitor - 1800pF ±5% 50V	2 - 172
1605 1421	Capacitor - 150pF ±10% AC250V	2 - 173
1605 1422	Capacitor - 1000pF ±20% AC250V	2 - 174
1605 1446	Resistor - 120pF ±5% 50V	2 - 175
1605 1460	Capacitor - 0.22pF ±10% AC250V	2 - 176
1605 1475	Resistor - 1µF ±10% 16V	2 - 177
1605 1539	Resistor - 1.5µF ±10% 16V	2 - 178
1605 1544	Resistor - 330pF ±5% 50V	2 - 179
1607 0069	Fuse - BI02rn2-r62-pb	2 - 180
1607 0425	Coil: Sbt-0260	2 - 182
1607 0612	St-110av	2 - 183
1607 0824	Filter - BLM11A601SPB	2 - 184
1607 0824	Filter - BLM11A601SPB	2 - 181
1607 1196	Inductor -220uh ±20% 0.33a	2 - 185
1607 1284	Choke Coil - St-110bv	2 - 186
1607 1584	Inductor - Lav35vb151j	2 - 187
1609 0005	Resistor:33 Ω:±5%:1/16w	2 - 188
1609 0006	Resistor:10k Ω:±5%:1/16w	2 - 189
1609 0026	Resistor - 47Ω ±5% 1/16W	2 - 190
1634 0000	Resistor - 0 Ω 1/16W	2 - 191
1640 3221	Capacitor:220µF:±20%:35v	2 - 192
1650 4100	Resistor - 10Ω ±5% 1/10W	2 - 193
1650 4101	Resistor - 100Ω±5%1/10W	2 - 194
1650 4102	Resistor - 1KΩ ±5% 1/10W	2 - 195
1650 4103	Resistor - 10KΩ ±5% 1/10W	2 - 196
1650 4104	Resistor - 100KΩ±5%1/10W	2 - 197
1650 4106	Resistor - 10MΩ±5%1/10W	2 - 198
1650 4121	Resistor - 120Ω±5%1/10W	2 - 199
1650 4124	Resistor:120kΩ:±5%:1/10w	2 - 200
1650 4151	Resistor - 150Ω ±5%1/10W	2 - 201
1650 4204	Resistor - 200KΩ±5%1/10W	2 - 202

Part No.	Description	Page and Index No.
1650 4220	Chip Resistor - 22Ω ±5% 1/10w	2 - 203
1650 4222	Resistor - 2.2KΩ±5%1/10W	2 - 204
1650 4223	Resistor - 22KΩ±5%1/10W	2 - 205
1650 4304	Resistor:300kΩ:±5%:1/10w	2 - 206
1650 4330	Chip Resistor - 33Ω ±5% 1/10w	2 - 207
1650 4331	Resistor - 330Ω±5%1/10W	2 - 208
1650 4333	Resistor - 33KΩ±5%1/10W	2 - 209
1650 4334	Resistor - 330KΩ±5%1/10W	2 - 210
1650 4470	Resistor - 47Ω±5%1/10W	2 - 211
1650 4472	Resistor - 4.7KΩ ±5% 1/10W	2 - 212
1650 4474	Chip Resistor:470kΩ:±5%:1/10w	2 - 213
1650 4511	Resistor - 510Ω±5%1/10W	2 - 214
1650 4561	Resistor - 560Ω ±5% 1/10W	2 - 215
1650 4562	Resistor - 5.6KΩ ±5% 1/10W	2 - 216
1650 4563	Resistor - 56KΩ±5%1/10W	2 - 217
1650 4680	Resistor - 68Ω±5%1/10W	2 - 218
1650 4912	Resistor - 9.1KΩ±5%1/10W	2 - 219
1652 5361	Resistor - 5.36KΩ±1%1/4W	2 - 220
1654 1001	Resistor - 1KΩ±1%1/10W	2 - 221
1654 1003	Resistor - 100KΩ±1%1/10W	2 - 222
1654 1200	Resistor - 120Ω ±1% 1/10W	2 - 223
1654 2002	Resistor - 20KΩ±1%1/10W	2 - 224
1654 2200	Resistor:220Ω:±1%:1/10w:1608	2 - 225
1654 2430	Resistor - 243Ω±1% 1/10W	2 - 226
1654 3609	Resistor - 36Ω±1%1/10W	2 - 227
1654 4301	Resistor - 4.3KΩ±1%1/10W	2 - 228
1654 9311	Resistor - 9.31KΩ ±1% 1/10W	2 - 229
1655 0000	Chip Resistor - 0Ω±0%1/16w	2 - 230
1660 2120	Capacitor - 12 pF ±5% 50V	2 - 231
1660 2150	Capacitor - 15pF ±5% 50V	2 - 232
1660 2180	Capacitor 18pF ±5% 50v	2 - 233
1660 2471	Capacitor - 470pF - ±5% - 50V	2 - 234
1660 4103	Capacitor - 10000pF - ±10% - 50V	2 - 235
1660 4682	Capacitor - 6800pF 50V 1608	2 - 236
1907 0031	SDRAM - 128m 2mx16x4 133mhz G3	2 - 237